

For corners (R), straight lines and curves
One-touch Beveller

Chamfo



DAE SUNG GT CO., LTD.
DAE SUNG GOLDEN TECHNOLOGY CO., LTD.



For corners (R), straight lines and curves
One-touch Beveller

Chamfo

Chamfo Beveller Technical Status

- **Pending for international patent to eighteen countries : Patent No. PCT/KR2007/00765**
- Patent: Beveller with easily adjustable depth setting No.10-05752012
- Patent: Beveller with improved durable guide roller No.10-0608293
- Patent: Bevelingmounting for straight lines No.10-0644400
- Patent: Multipurpose beveller No.10-0784772
- Design registration: Beveller adapter No.30-0418581
- Similar design registration: Beveller spline assembly No.30-0418582 / No.1 / No.2
- Trademark registration: Chamfo No.40-2006-0043030
- China patent : Beveller with easily adjustable depth setting, Patent No. ZL200710005742.3

Chamfo Beveller

1. Multipurpose design for straight lines and curves
2. Fixed beveling depth for operations with straight lines and curves
3. Simple one-touch adjustment of beveling depth
4. Fine adjustment of beveling depth (calibration to 0.1mm)
5. Reduced cost due to multipurpose design for straight lines and curves
6. Replaceable electric motor
7. No loosening with one-touch spline for adjusting beveling depth
8. Capable of rapid repetitive operations with altered beveling depth
9. No change in beveling depth during operations for straight lines and curves

Standard Beveller

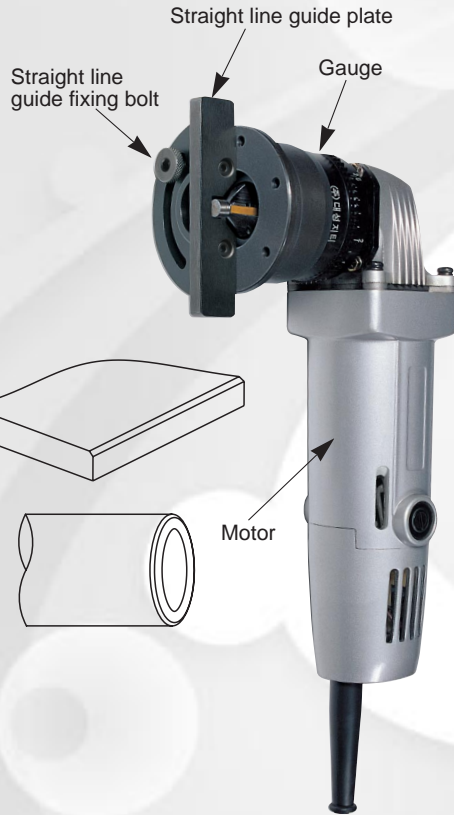
1. Straight lines and curves require different devices
2. The beveling depth is not fixed for operations for straight lines and curves
3. Difficult to adjust beveling depth due to fixing with screw
4. Fine adjustment of beveling depth difficult
5. Expensive for the functions provided
6. Must be discarded when electric components fail
7. Loosening common due to screw-based fixing of beveling depth with bolt
8. Incapable of repeated operations with altered beveling depths
9. Incapable of single operations including both straight lines and curves



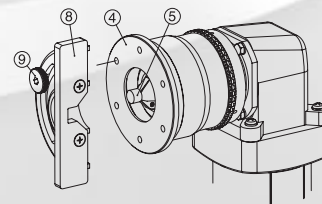
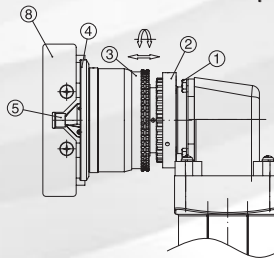
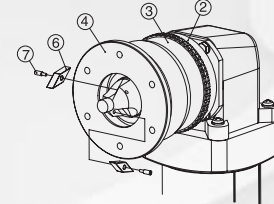
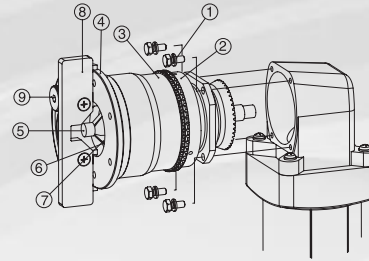
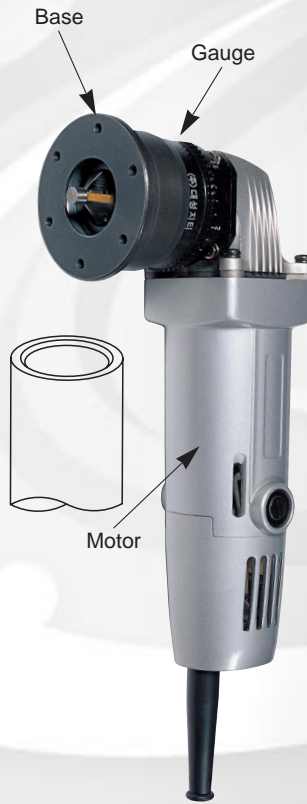
► One touch type bevelled amount control capability.

Bevelled amount is controlled by a one-touch spline method without loosening effect and the repetitive operation can be performed rapidly by 0.1 mm step with the change of the bevelled amount.

Beveling Straight lines



Beveling curves



- This product can be used by attaching with a bolt to an existing electric disc grinder.
- This product can be assembled to any electric disc grinder on request
- Assemble using the four ① gear cover bolts.
- ① gear cover fixing bolt ② calibration setting ③ gauge ④ base plate ⑤ guide pin ⑥ special tip ⑦ tip-fixing wrench bolt ⑧ straight line guide plate ⑨ straight line fixing bolt.

Changing the tip

Push the ③ gauge in the direction of the ④ base plate, twist the ③ gauge left (+) as far as it will go (toward the greatest beveling depth), undo the tip-fixing bolt and change the ⑥ special tip.

- Bolt - FTKA 02565-T7
- Special tip - Korloy VCGW110304
- Standard tip - VCMT 110304 / VCGT 110304

Adjusting the starting setting

Rotate the ③ gauge to the right (-) as far as it will go to the starting position and conduct an operation using the bottom surface of the ④ base plate as the measuring point, shifting the ③ gauge to the left (+) by one calibration setting until the screw of the ② special tip reaches the first cutting start position and then set the ? calibration setting at the calibration of 0 on the ③ gauge.

Adjusting the beveling depth

Push the ③ gauge toward the bottom of ④ base plate, and adjust the setting for the beveling depth by rotating the ③ gauge to the left (+) or to the right (-). When released, the ③ gauge automatically returns to its original position (the one-touch method). (One mark on the calibration scale is equivalent to 0.1mm, with an adjustment range of 0.1mm - 3mm.)

Beveling straight lines

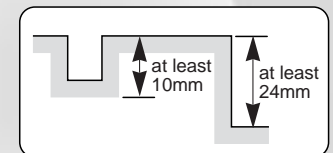
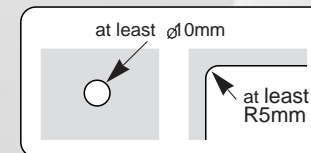
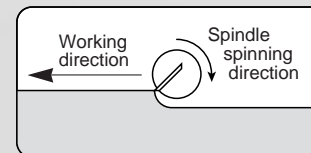
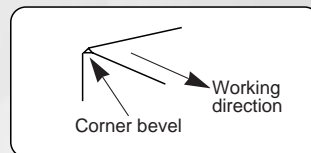
Fix the ④ straight line guide plate on the ⑧ base plate, and then twist and fix the ⑨ straight line fixing bolt with a wrench. The tool is then ready for use. (There will be no change in the beveling depth for operations involving straight lines and curves.)

• Firmly grasp the body of the beveller, place the base plate on the work object and work slowly with the tip touching the object.

• With the straight line guide flush against the guide pin, work by moving in the direction of the tip's rotation.

• With objects for beveling, holes must have a diameter of at least 10mm, and radii must measure at least 5mm. Work objects must have a thickness of at least 10mm.

• Work objects with grooves must be at least 10mm thick.

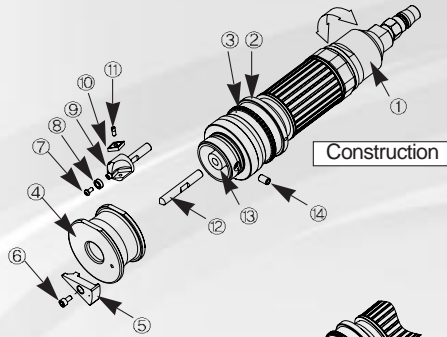
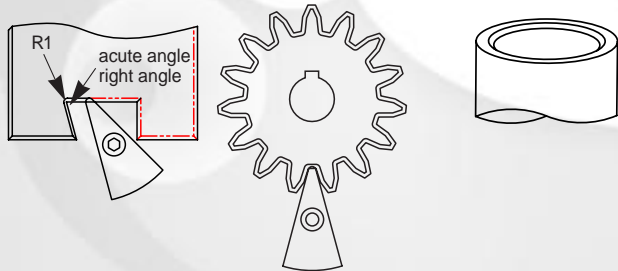


For corners (R), straight lines and curves
One-touch Beveller
Chamfo

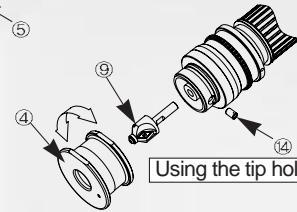
Beveling corners (R) and straight lines



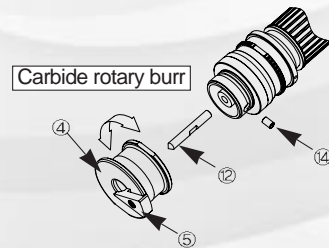
Beveling curves



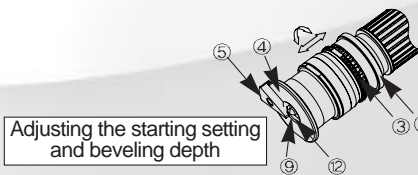
Construction



Using the tip holder



Carbide rotary burr



Adjusting the starting setting and beveling depth

- **This product is composed of air-operated section and a beveler**
 - ① air switch (ON, OFF) ② calibration setting ③ gauge ④ base plate (upper screw) ⑤ corner (R) and straight line guide ⑥ M3 bolt ⑦ M2.5 bolt ⑧ bearing ⑨ tip holder ⑩ tip ⑪ tip-fixing bolt ⑫ carbide rotary burr ⑬ revolution axis bore ⑭ tool fixing bolt

- **Specifications for parts**
 - ⑧ Bearing: MR74 (NSK) 674 (NTN) L-740 (NMB) ML4007 (KOYO)
 - ⑩ Normal tip: DCMT070204
 - ⑪ Bolt: FTKA 02565-T7
 - ⑫ Carbide rotary burr: SK-1M-GT (6mm shank) - available on demand

- **Replacement of operation tools**
After removing the ④ base plate by rotating to the left, place the ⑨ tip holder and the ⑫ carbide rotary burr inside the ⑬ revolution axis bore and fix with the ⑭ tool fixing bolt. Use after reattaching and fixing the ④ base plate.

- **Using the tip holder and carbide rotary burr**
Prepare for beveling curves and straight lines after removing the ⑤ corner (R) and straight line guide, and replacing the ⑨ tip holder according to the method for the replacement of operation tools. Set for cutting corners (R) and straight lines by changing the ⑫ carbide rotary burr according to the method for the replacement of operation tools and replacing the ⑤ corner (R) and straight line guide.

- **Adjusting the starting setting**
Rotate the ③ gauge to the right (-) as far as it will go to the starting position and conduct an operation using the bottom surface of the ④ base plate as the point of reference, shifting the ③ gauge to the left (+) by one calibration setting until the cutting edge of ⑨ and ⑫ reach the cutting start position and then set the ② calibration setting at the calibration of 0 on the ③ gauge.

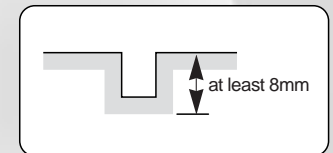
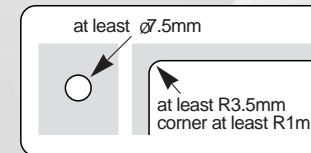
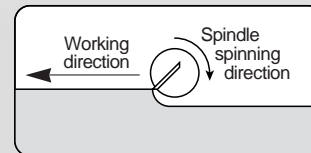
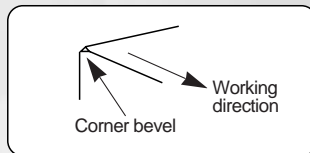
- **Adjusting the beveling depth**
Push the ③ gauge toward the bottom of ④ base plate, and adjust the setting for the beveling depth by rotating the ③ gauge to the right (-) or to the left (+). When released, the ③ gauge automatically returns to its original position (the one-touch method). (One mark on the calibration scale is equivalent to 0.1mm, with an adjustment range of 0.1 - 1.5mm.)

- Firmly grasp the body of the beveler, place the base plate on the work object, and work slowly with the tip touching the object.

- With the corner (R) guide flush against the face of bearing, work while moving in the direction of the tip's rotation.

- For beveling curves, holes must have a diameter of at least 7.5mm, and radii must measure at least 3.5mm.
- For beveling corners, radii must measure at least R1mm.

- Work objects with grooves must be at least 8mm thick.



For corners (R), straight lines and curves
One-touch Beveler
Chamfo Air

Gamma Irradiation System

Gamma Irradiation System

- Source Container: constructed with lead and tungsten alloy
- Installed Radiation Source : Cs-137
- Maximum Capacity of Radioactivity : 111 TBq (3000 Ci)
- Stainless steel frame with three dimensional alignment capability.



Moving System

- Accurately leveled moving cart on which the detector can be displaced both horizontally and vertically.
- High precision rail system for the positioning of the moving cart. (display of the moving distance selectable with a resolution of 1 or 10 μ m)

Shielding door to the irradiation room.

- Constructed with thick lead whose edges surrounded by iron.
- Shielding capability : typically leakage radiation less than 1 μ Sv/h.



Gamma Irradiation System



DAE SUNG GT CO., LTD.
DAE SUNG GOLDEN TECHNOLOGY CO., LTD.

Specialized Manufacturer of Bevellers

436-15, Ojeong-dong, Daedeok-gu, Daejeon, Korea. (306-819)

Tel. +82-42-**627-5508, 628-0468**

Fax. +82-42-627-5509

e-mail. daesunggt@hanmail.net

Internet homepage

<http://www.daesunggt.co.kr>

<http://www.chamfo.com>

<http://www.chamfo.co.kr>

For corners (R), straight lines and curves

One-touch Beveller

Chamfo



ISO 9001:2000
KSA 9001:2001

